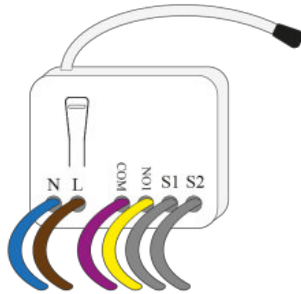
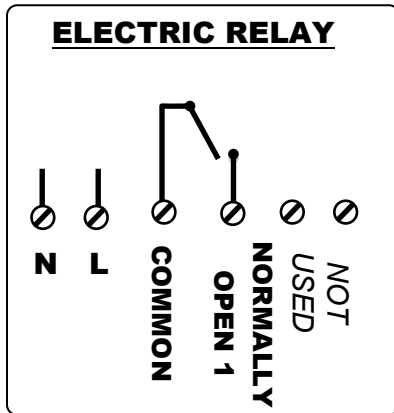


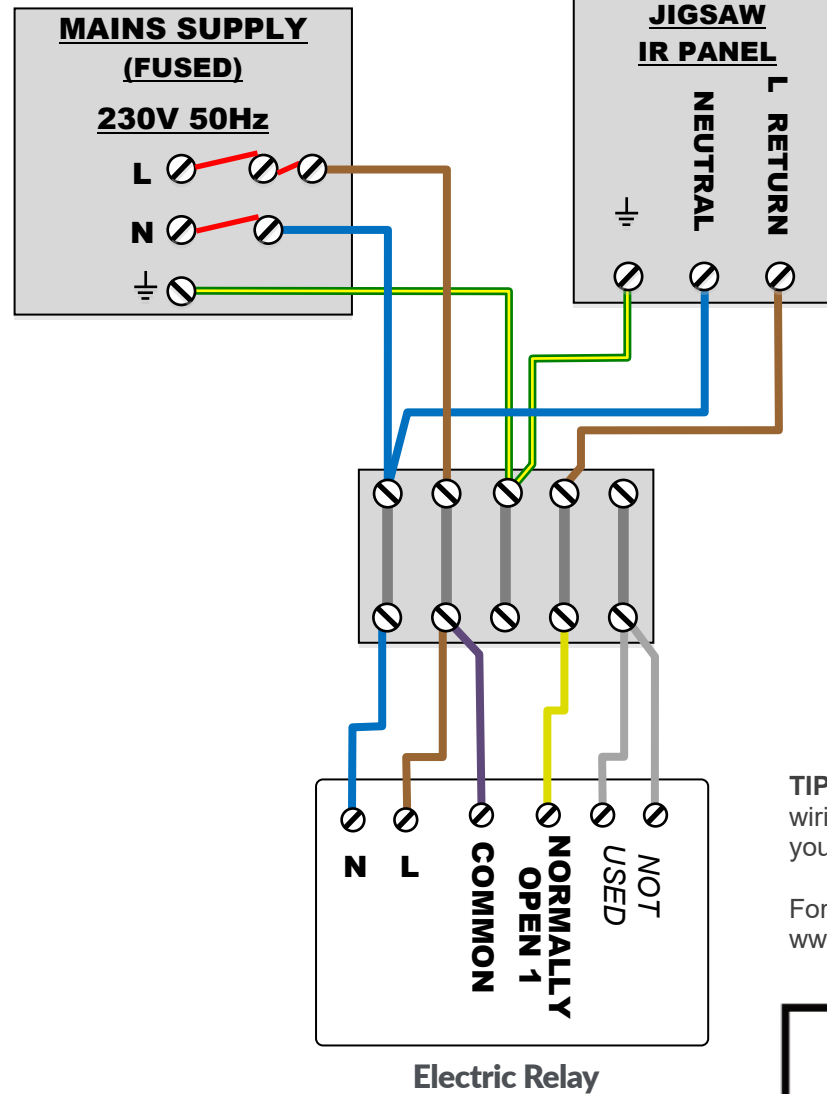
Electric Relay



Internal Wiring Diagram



**NOTE:** If the appliance/load has a fused spur then this needs to be retained. The Electric Relay should be wired in line with any existing fused spur.



**TIP** Take a photo of the existing wiring before you start to help you remember.

For more wiring diagrams see: [www.geniushub.co.uk/wiring](http://www.geniushub.co.uk/wiring)



**WARNING**

TO PREVENT RISK OF DAMAGE OR SAFETY HAZARDS, THIS EQUIPMENT SHOULD BE ONLY INSTALLED BY QUALIFIED OR COMPETENT PERSONS AND IN ACCORDANCE WITH ALL APPLICABLE ELECTRICAL REGULATIONS