

## Description

The Electric Switch is a stylish receiver unit which can switch 230V up to 13A. These are normally used to control hot water immersion heaters, electric space heaters or circulation pumps.

Using a push button, the Electric Switch also has a manual override (boost) feature, the length of the override time being preset on the app. This gives manual control as well as being able to control the switch from the Genius Hub app.

The Tank Temperature Probe can be added to this, to give hot water temperature control on the app. The Electric Switch does not come with the Tank Temperature Probe as standard, this needs to be purchased separately.

## Application

- Boilers
- Zone Valves
- Immersion Heaters
- 230v Wet Underfloor Heating
- 230v Electric Underfloor Heating
- Heated Towel Rails (Electric Only)
- Panel Heaters
- Oil-Filled Radiators
- Circulation Pumps
- Kickspace Heaters

## Features

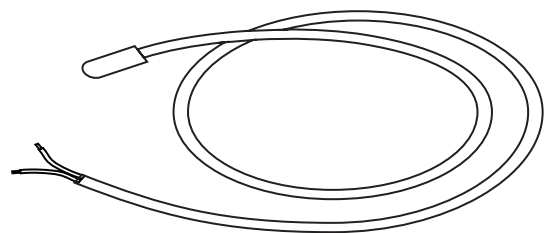
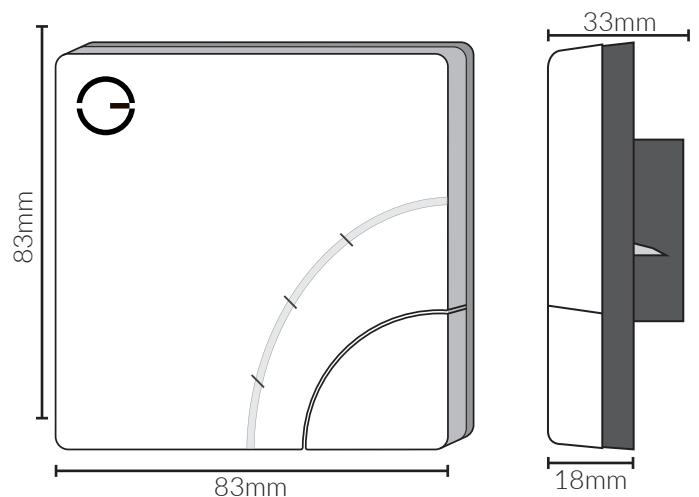
- Manual Override (Boost)
- Signal Boosting
- Status Indication
- Temperature Detection with external probe

## Technical Data

- Power Supply: 230V AC, 50Hz only
- Transmission Frequency: 868.42 (EU) MHz
- Contact Type: Micro disconnection
- Resistive Load: 13A (3000W)
- Inductive Load: 3A
- Operating Temperature Range: 0°C to 35°C
- Relative Humidity: 5% to 85%
- Enclosure Protection: IP30
- Works with the 3m TTP - NTC 10k @ 25°C
- Regulation: EN 60730-2-7, R&TTE, ETSI EN 300 220-2, ETSI EN 301 489-3
- RoHS: Compliant
- Indoor Use Only

## Genius Electric Switch

SKU: HO-ESW-D



Tank Temperature Probe (extra) 3m