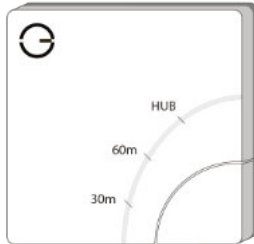
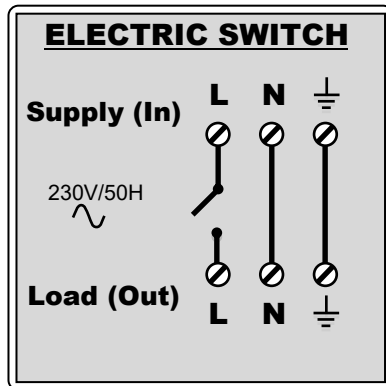


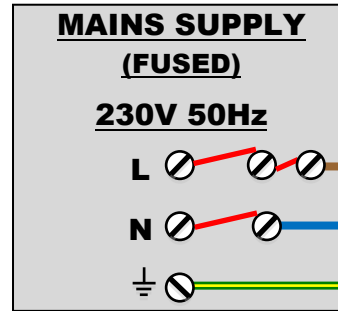
Electric Switch



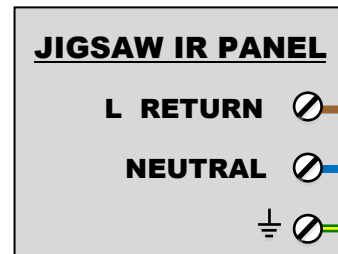
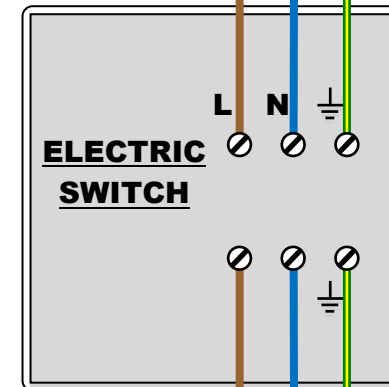
Internal Wiring Diagram



NOTE: If the appliance/load has a fused spur then this needs to be retained. The Electric Switch should be wired in line with any existing fused spur.



Electric Switch



TIP Take a photo of the existing wiring before you start to help you remember.

For more wiring diagrams see: www.geniushub.co.uk/wiring



WARNING

TO PREVENT RISK OF DAMAGE OR SAFETY HAZARDS, THIS EQUIPMENT SHOULD BE ONLY INSTALLED BY QUALIFIED OR COMPETENT PERSONS AND IN ACCORDANCE WITH ALL APPLICABLE ELECTRICAL REGULATIONS