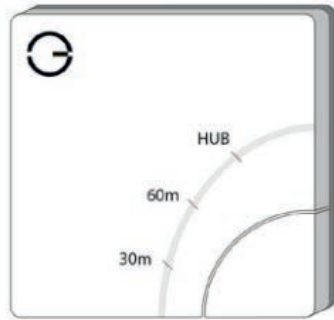




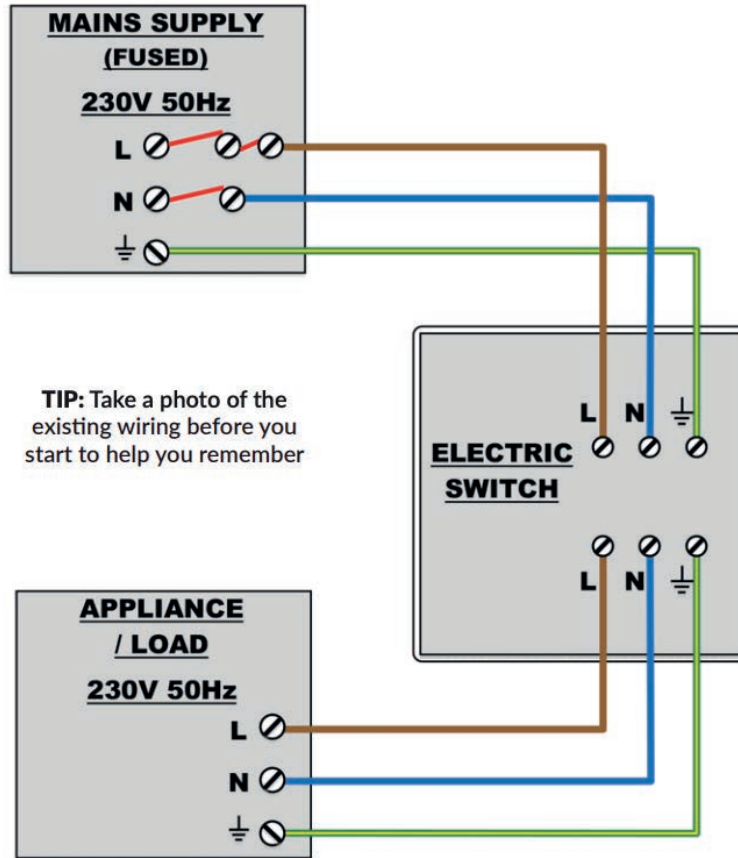
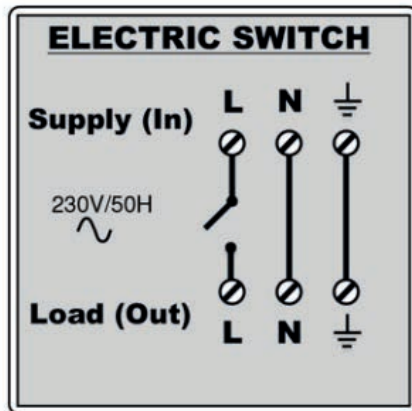
## JIGSAW Smart Control - Electric Switch Wiring Diagram

NOTE: If the appliance/ load has a fused spur then this needs to be retained.

The Electric Relay should be wired in line with any existing fused spur.



### Internal Diagram



**TIP:** Take a photo of the existing wiring before you start to help you remember